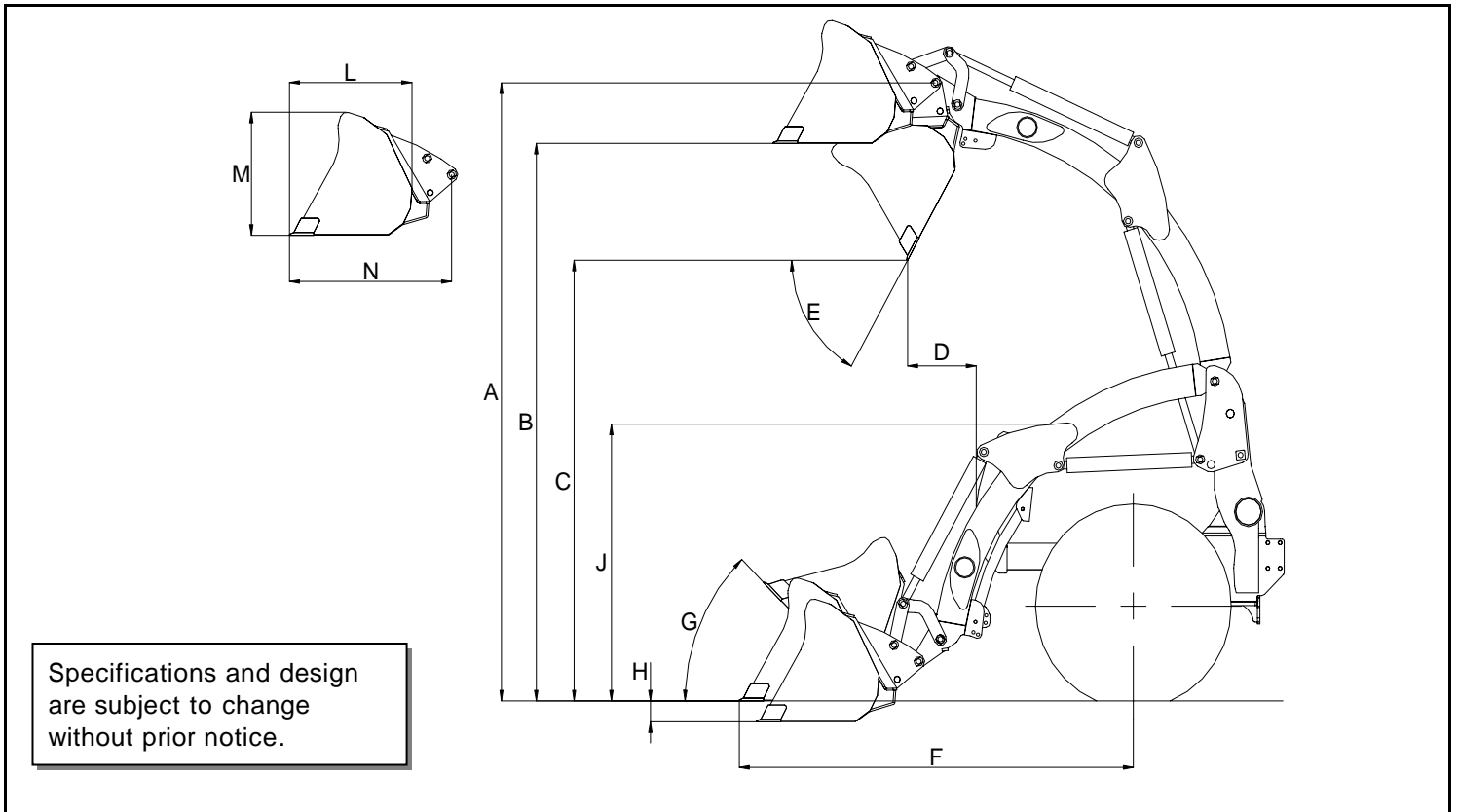


# LOADER SPECIFICATIONS



Specifications and design are subject to change without prior notice.

Loader Model	LT200	LT353	LT353H	LT500	LT600	LT700SL	LT900SL
Tractor Model	T233/273	T353	T353HST	T433/503	T603	T700	T803/903/1003
Tractor Out Put(HP)	23 / 27	35	35	43 / 50	60	70	80 / 90 / 100
<b>A.</b> Maximum Lift Height	87.2"	97.6"	97.4"	114.6"	112.2"	132.9"	134.9"
<b>B.</b> Clearance with Attachment Level	80.5"	86.4"	86.1"	103.4"	101"	122.0"	123.4"
<b>C.</b> Clearance with Attachment Dumped	64.9"	65.4"	65.2"	81.6"	78.8"	100.7"	98.4"
<b>D.</b> Reach at Maximum Height(45°)	21.4"	20.2"	20.2"	13.2"	5.5"	19.7"	28.3"
<b>E.</b> Maximum Dump Angle	48°	55°	55°	61°	60°	50°	53°
<b>F.</b> Reach with Attachment on Ground	56.4"	73"	71.6"	76.7"	76.5"	84.2"	77.5"
<b>G.</b> Attachment Rollback Angle	30°	30°	30°	44°	39°	42°	50°
<b>H.</b> Digging Depth Below Grade	4"	6.2"	6.4"	4.2"	8"	7.7"	9.8"
<b>J.</b> Overall Height in Carry Position	46.4"	55"	54.8"	62.7"	60"	65"	76.9"
<b>L.</b> Depth of Attachment (to back of inner lip)	16.8"	23.3"	23.3"	23.3"	23.3"	23.3"	26.6"
<b>M.</b> Height of Attachment	18.5"	22.9"	22.9"	22.9"	22.9"	22.9"	25.3"
<b>N.</b> Depth of Attachment (to pivot pin)	23.4"	31.5"	31.5"	31.5"	31.5"	33"	37.1"
Lift Capacity to Full Height at Pivot Point	1,108 lbs	1,241 lbs	1,223 lbs	1,788 lbs	3,094 lbs	3,133 lbs	3,178 lbs
Breakout Force at Ground Level, Pivoted	1,416 lbs	2,875 lbs	2,903 lbs	3,974 lbs	4,872 lbs	5,517 lbs	5,014 lbs
Relief Valve Setting (Loader Control)	1,991 psi	2,276 psi	2,276 psi	2,418 psi	2,489 psi	2,560 psi	2,560 psi
Rated Flow (Tractor System)	5 gpm	6.3 gpm	6.3 gpm	9 / 9.7 gpm	10.4 gpm	11.1 gpm	5.7/15.1/15.1gpr
Lift Cylinder	1.77"	1.97"	1.97"	2.36"	2.36"	2.75"	2.75"
Bucket Cylinder	1.77"	1.97"	1.97"	2.36"	2.36"	2.36"	2.36"
Attachment used for specification	50"	62"	62"	72"	78"	83"	83"

- Standard : Bucket Level indicator
- Option : Self Leveling System